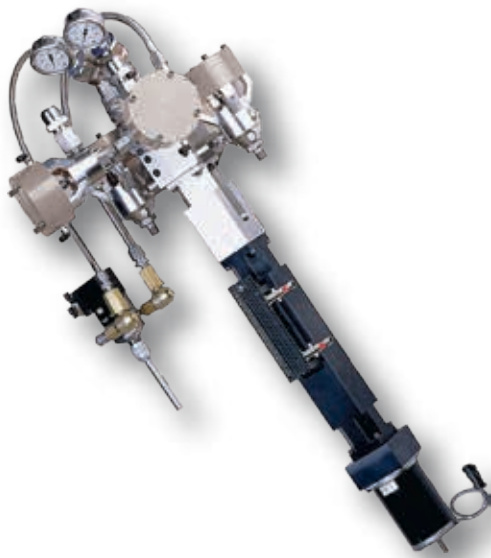
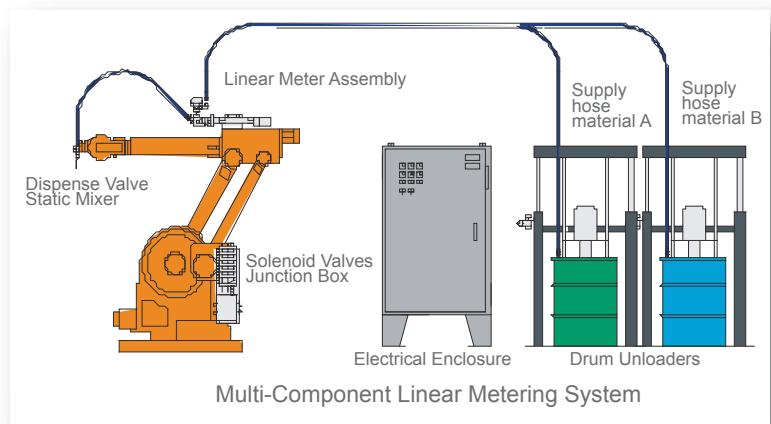


LINEAR METERING SYSTEMS

High-Precision from Fluid Kinetics

Repeatable, controlled output of adhesives and sealants is necessary to ensure consistent quality in a production environment. Fluid Kinetics positive-displacement linear meters produce consistent volumetric output, regardless of changes in fluid viscosity. Whether a discrete shot or a precise bead in accordance with a trace pattern is needed, Fluid Kinetics has the answer.

- Precise volumetric control, repeatability within +/- 1%
- Modular design in a lightweight package
- Adaptable to existing automation
- Option of pneumatic- or motor-driven
- Complete with controller package
- Ideal for automated dispensing
- Interchangeable displacement rods permit two-part ration flexibility
- Sub plate-mounted for quick off-line maintenance
- Interfaces with existing programmable logic controllers and robots



Special fluids dispense easily.

A Fluid Kinetics linear meter can accurately dispense even the most difficult fluid - hot or cold, single or plural component, including weldable sealants and mastics, epoxies and urethanes, hot-melt, including PUR, oils, greases, lubricants, butyl, plasticol, and RTV silicone.

Suits a wide-range of applications.

A Fluid Kinetics linear meter is the best choice for a range of dispensing applications. These include precise volumetric output in shot, filling, or potting applications, bead applications which require constant diameter, uniform mixing and dispensing of multi-component materials, and application of abrasive or caustic materials not suited for rotary or other types of pumps.