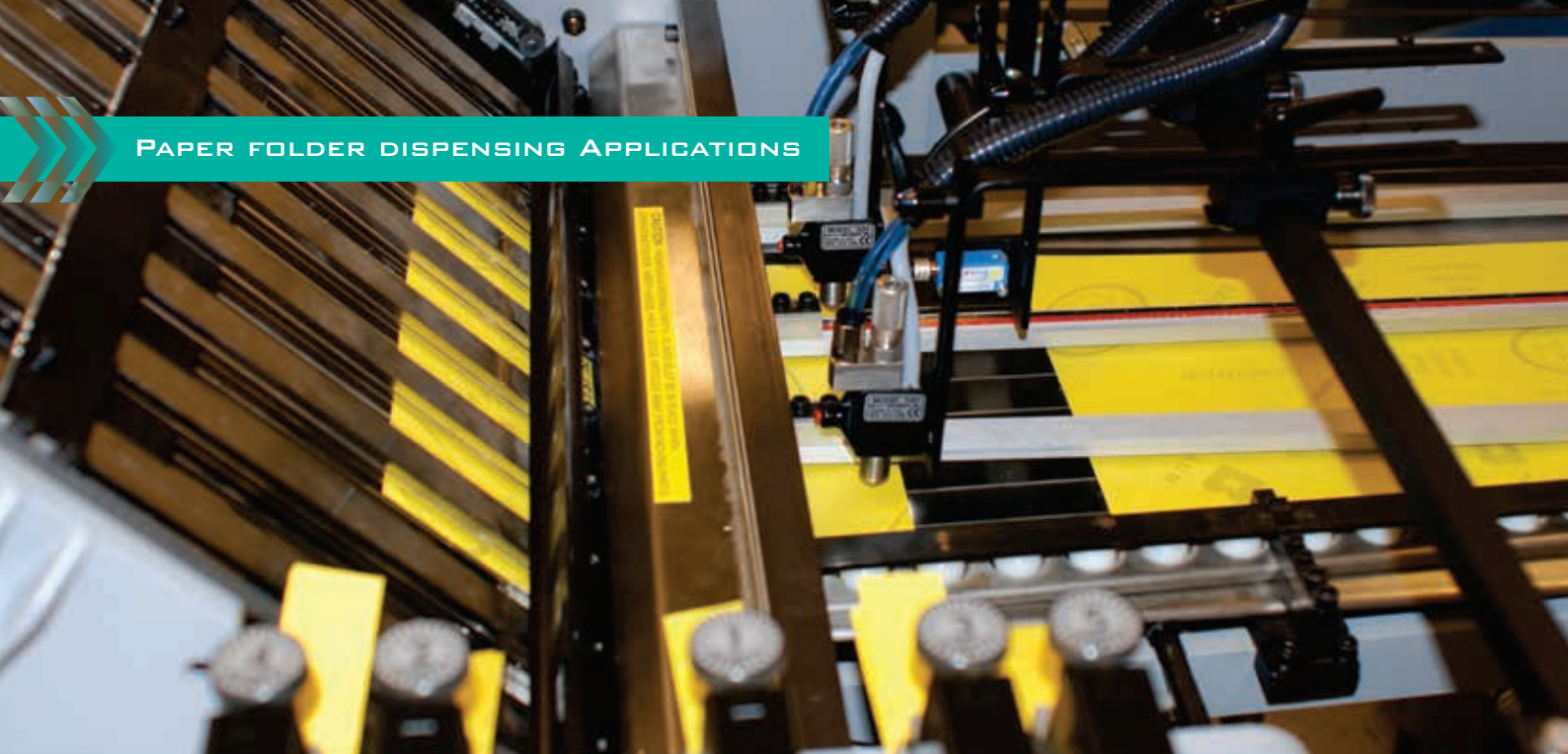




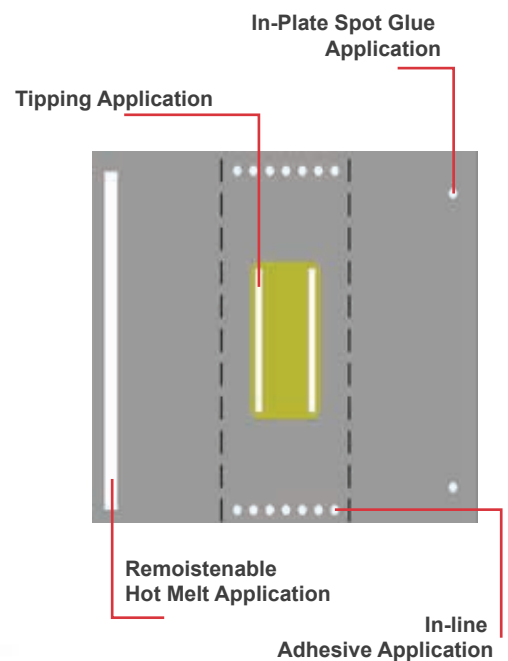
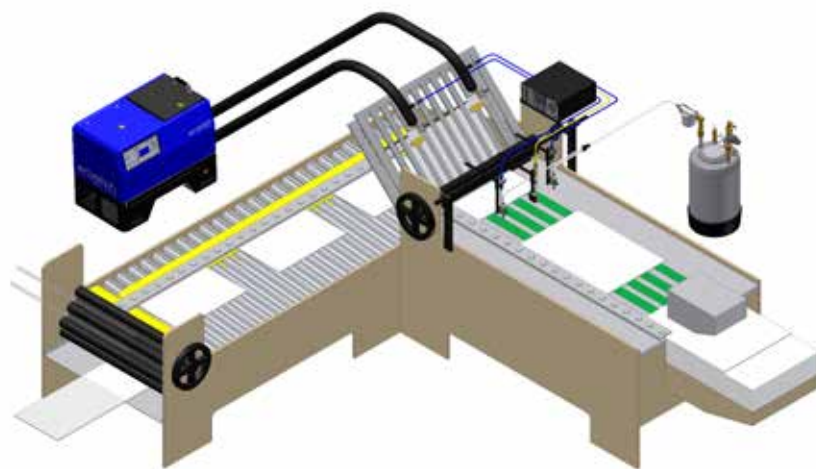
Gluing and Quality Inspection Solutions for the
PRINT FINISHING INDUSTRIES



Adhesive Dispensing & Quality Assurance Systems



Valco Melton provides hot melt and cold glue adhesive dispensing systems for gluing requirements on sheet-fed paper folders, including spot gluing, seam gluing, tipping, and ribbon coating applications.



Benefits

- Hot melt and cold glue dispensing, as well as quality assurance systems from one single source
- Control the specific size of your dots and program stitch patterns as small as 1mm in diameter, for highly accurate product attaching with minimal adhesive usage

System Layout | Paper Folder Dispensing Applications

Typically these systems feature the MCP-4 control and the 300 series non-contact valve or the MX series all-electric hot melt applicators with EcoStitch™ technology. A selection of rugged, yet simple mounting brackets are available. Most systems will include a small stainless-steel cold glue tank or the Valco Melton D4-e all electric hot melt tank.

Inserting | Product Attaching

Valco Melton's MX series gun can run dots and lines with nearly any adhesive at speeds up to 500 feet per minute and stitch pressure sensitive adhesive. The MCP-4 control allows the operator to control the specific size of the dots and stitch pattern. Our D Series System Controller electronically matches the melt unit pump speed to the speed of the folder to guarantee consistent adhesive pattern volume and placement at all machine speeds.

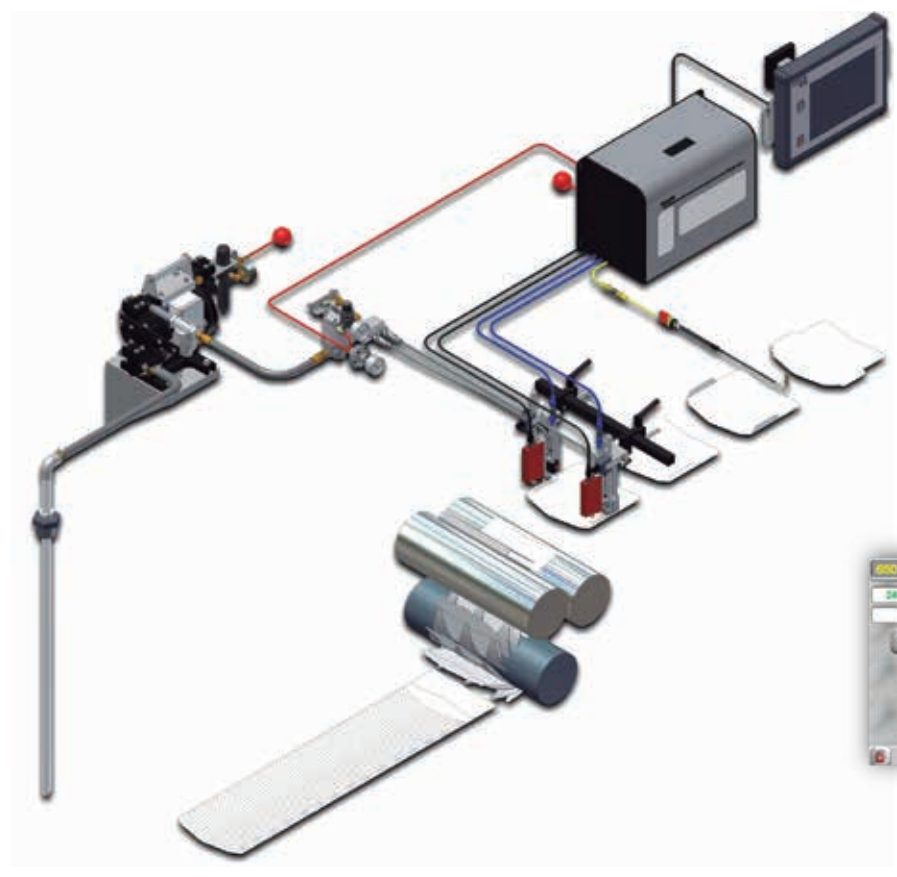


PRECISION GUM APPLICATION AND QUALITY ASSURANCE SYSTEM

Valco Melton offers the envelope manufacturer an extensive selection of precision dispensing valves, sophisticated controls, high-speed inspection sensors and custom bracket packages. Systems feature the high-speed 524 dispensing valve which offers long service life, even under continuous duty and high cycle-rate requirements. System control choices range from the cost effective, gumming-only MCP-4J Series to the OT120/VCX modular touchscreen package for gluing and inspection for 100% guaranteed quality assurance.

HIGH SPEED GUMMING

The 524 Series valves set a new standard for high speed non-contact gumming. Each valve features a built-in purge switch and adjustable flow rate for precise adhesive volume control. The 524 valves can be used with fluid viscosities up to 4,500 mPas at pressures up to 500 psi (35 BAR). Offering high-performance coil design the 524 valve is easily capable of short patterns or dotting at high machine speeds.



Benefits

- Systems offer reliable, clean operation with very little operator attention
- EnvelopePRO systems offer glue pattern inspection and other quality related benefits such as window detection



OT-120 with EnvelopePRO®



Since 1988 Valco Melton has been supplying RoBondPRO fine-line gluing and fold-softening systems to leading printers and press manufacturers.

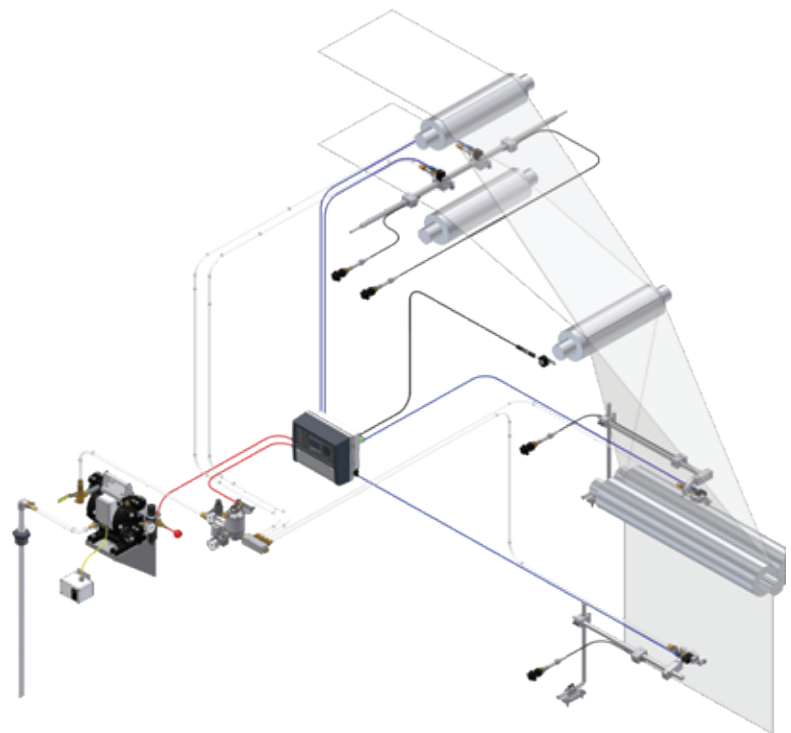
The entire **RoBondPRO™** system can be operated from the centrally located touchscreen with an intuitive graphical interface. The RoBondPRO™ system offers motorized positioning of dispensing valves across the web. Valve positioning to the web is servo-adjustable to 0.1mm (0.004") accuracy.

As speeds change, pressure regulators adjust and precisely control the amount of fluid that is applied to the web. Since application pressure is synchronized with press speed, finished product can be glued or softened from set-up to production speeds.

Featuring an automatically dosed fold softening solution, problems with cracking and brittle paper at the fold are eliminated. Reducing spine bulk, flatter bundles are produced thereby improving stacking, stitching and stapling operations.

Benefits

- Increase your web press capabilities with a versatile solution that incorporates gluing and fold softening dispensing in one single system
- Easily set up application parameters from an intuitive graphical touchscreen interface
- Choose the solution that best fits your needs. For presses that do not need gluing, RoBondPRO is available as a fold softening dispensing system
- With precise control of material output, RoBondPRO™ requires minimal cleanup and maintenance.

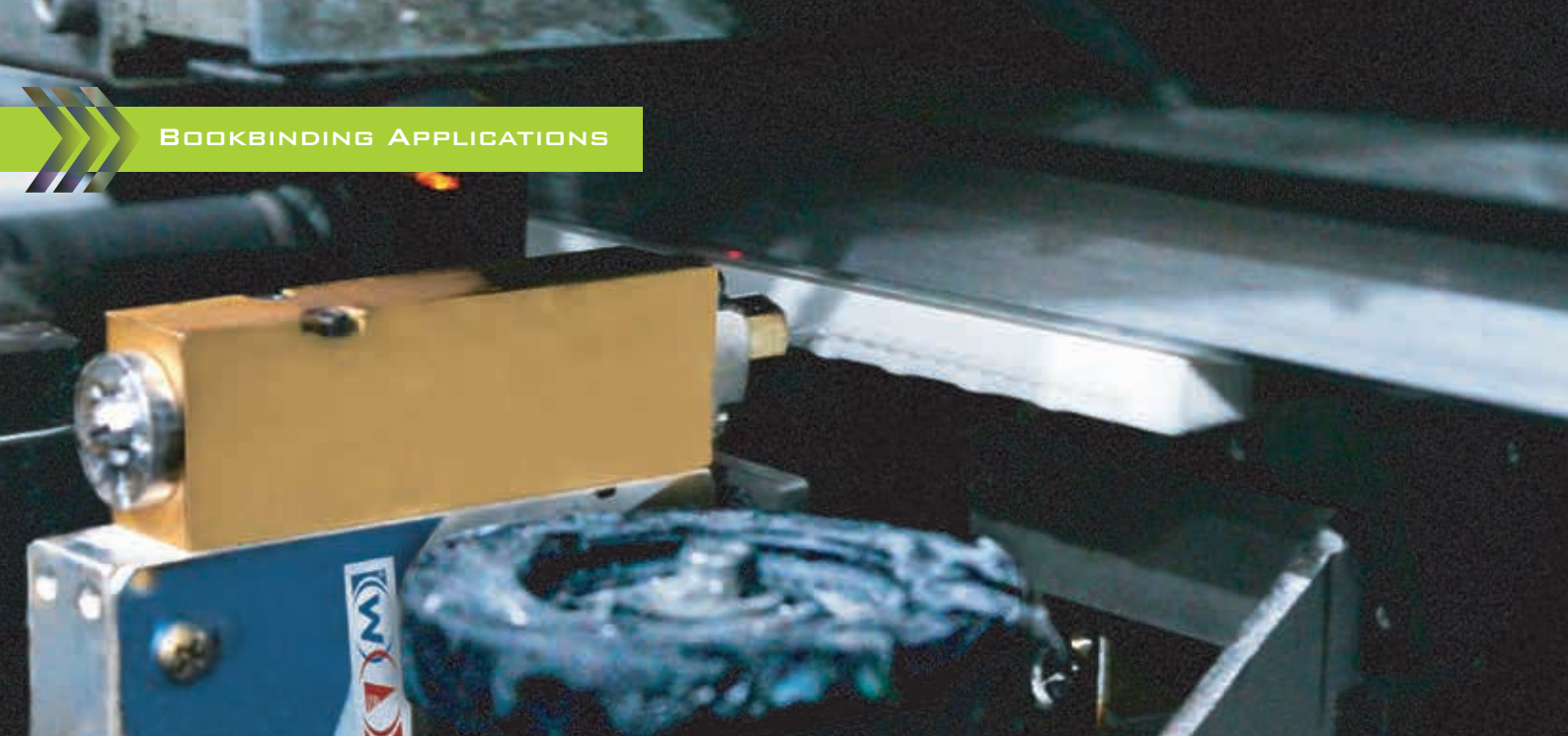


System Layout | Web Press Applications

Robond systems feature electrically actuated cold glue valves, which can be positioned in-line or at 90-degrees. Dispensing valve bracket packages feature operator accessible adjustment for easy valve positioning on the web.

Business Form Gluing

Precision fine-line glue valves are also easily adapted to business forms skip-fold or continuous system requirements.



SPINE | PUR GLUING

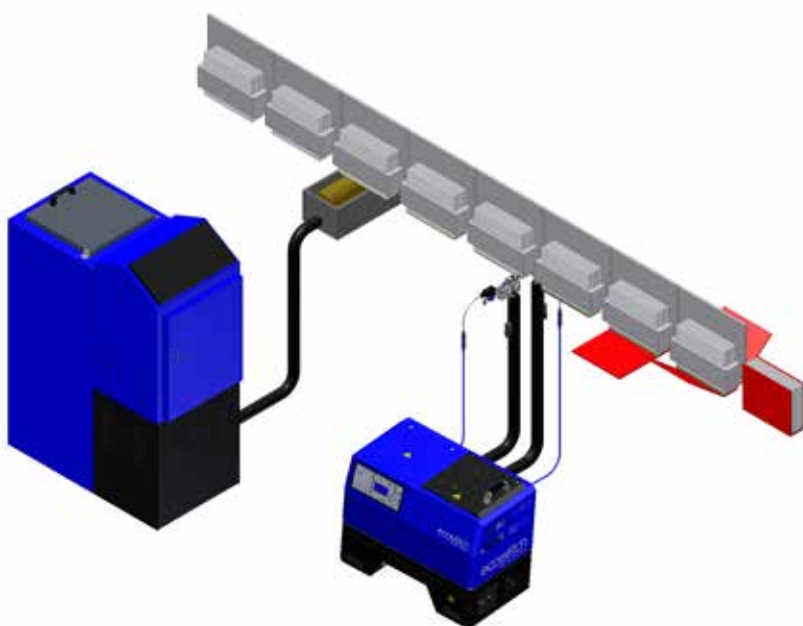
Valco Melton's spine glue applicator and carriage is designed to fit into most perfect binders. The application width is quick and easy to adjust with a manual wheel. Our pail and drum unloaders can be equipped with a special platen and PUR purge kit for easy and thorough clean up. Optional PUR side seam systems are available.

POT FILLING

Valco Melton's pot fill systems can be fitted onto nearly any glue pot. Melt unit pump size and control can be configured as required for specific application needs. Melt grids are designed for maximum melt rate for any adhesive in any form. Precision temperature control ensures stable temperature and promotes adhesive pot life.

SIDE-SEAM GLUING

Valco Melton's side seam dispensing systems are designed to fit all perfect binders. The MXM and ME Series Applicators can dispense any type of hot melt adhesive accurately without stringing. The EcoStitch Series Melter can be configured with a built-in glue pattern control to eliminate the need for an external box mounted on the parent machine. The auto glue function provides gluing for variable size books without a requirement for pattern adjustment. An optional Autofeed System keeps the melter full of adhesive without operator intervention. For easy, tool-free adjustment, a simple bracket package can be included.



System Layout | Side-Seam Gluing and Pot Filling

Benefits

- Ample range of adhesive dispensing and pattern control solutions to cover any bookbinding application from one single source
- Reduce adhesive waste by easily switching from an open pot and wheel to an enclosed spine glue system.

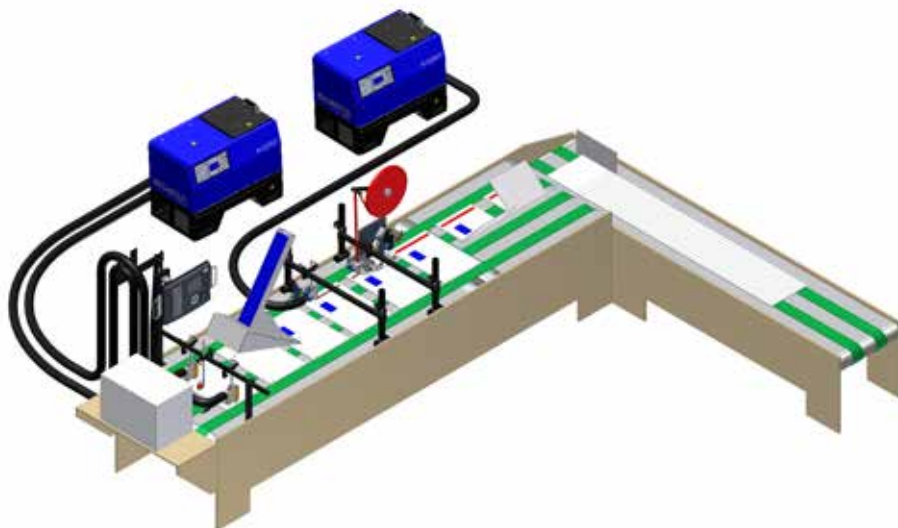
SPECIALTY IN-LINE GLUING APPLICATIONS

SEALTAK® | DEFERRED-USE SEALING

Streamline production and improve the quality of your deferred-use packaging products using Valco Melton's SealTak® System. Compared to double-sided pressure sensitive tapes, the SealTak system offers a more cost-effective and efficient sealing process by using pressure-sensitive adhesive and a release liner.

Molten hot melt adhesive is evenly applied onto the substrate in ribbon, bead, or spray form during the converting process. The release liner is then deposited over the adhesive with an offset, which allows for the easy peel and seal feature that is not possible with transfer tape.

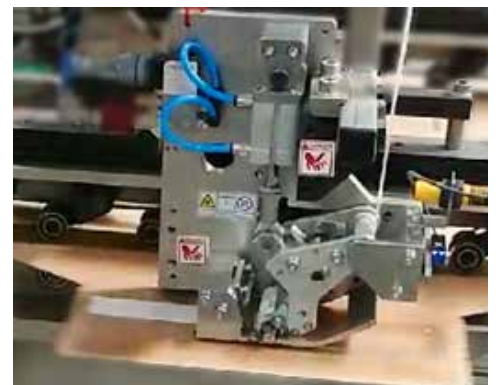
A release liner is fed through the "accumulator" to the liner's applicator head and then deposited onto the adhesive just downstream from the gluing area. A process made simple with SealTak®.



System Layout | Product Attaching and Deferred Sealing



Hot melt applicator



Release liner tape applicator

Benefits

- Increase production and reduce downtime by eliminating the need for excessive tape roll changes
- Reduce material costs 40% or more – the cost of buying bulk adhesive and bulk silicone paper is far less than transfer tape

PATTERN CONTROLS & QUALITY ASSURANCE



MCP-4J

Full-featured pattern control with simplified configuration and programming features for easy machine setup and operation. Works with an extensive selection of cold glue or hot melt adhesive dispensing valves including high-speed non-contact, spot gluing, fine line gluing, and ribbon-pattern gluing, controlling up to four valves for more complex patterns.



MCP-8

MCP-8 glue pattern controllers feature a full-color display screen and easy-to-use graphical user interface. MCP-8 offers eight channels of gluing with up to ten individual glue patterns. The integrated jam preventer makes it ideal for complex gluing jobs. Optional MCP-8i offers 4-channel gluing with 4-channel inspection.



OT-120/VCX

Valco Melton's OT-120/VCX offers full gluing system control along with high speed electronic monitoring of quality assurance. Up to 16 channels with a single VCX. A second VCX can be added to handle up to 32. The unit is modular and designed to easily expand your systems capabilities as needs grow.



**AS 303 & AS 303HM
GLUE INSPECTION**

For use with cold glue and hot melt, these sensors can be used with any of the Valco Melton Quality Assurance control systems. The AS series sensors have an 8mm sensing area that is capable of seeing the thinnest glue lines. Regardless of background color, the AS303 reliably detects any adhesive patterns, even stitching or dotting at full machine speeds. The AS303's compact design makes it ideal for space restricted areas.



CODE READER OPTIONS

Code Reading and Quality Assurance

Valco Melton offers system packages for binary code reading (UPC and Pharma), color detection, die cut monitoring, foil and window detection along with data collection capabilities.

A close-up, low-angle shot of a hot melt adhesive application machine in a factory setting. The machine's nozzle is positioned over a conveyor belt moving a sheet of material with colorful patterns. The background is slightly blurred, showing other industrial equipment and a teal-colored wall. The text is overlaid on the upper portion of the image.

ECOSTITCH

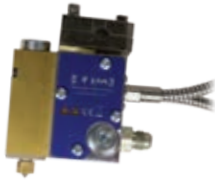
HOT MELT SOLUTIONS

CAN
SAVE
YOU

40-70%

IN ADHESIVE USAGE

HOT MELT SOLUTIONS OVERVIEW



MXM EcoStitch™

MXM All-Electric Valves with EcoStitch™ Technology easily reach 15,000 cycles per minute for short durations, and run in excess of 2 billion cycles depending on operating conditions, making it ideal for applications requiring high line speeds, fast cycle rates, and long service life.



ME

Featuring AO/AC module technology, ME series guns ensure a sharp adhesive cut for a clean, quality application. ME applicators offer a versatile design, adaptable to other market standards, for universal fit and easy configuration.



MK-F

Guarantee easy and safe handling with Valco Melton's MK-F Series, equipped with a specialty insulated cover. Its compact and efficient design provides optimal flexibility for easy installation and access in the most constricted spaces.



EcoStitch MELTERS

EcoStitch series adhesive melters are available in 4, 10 and 16L tank capacities, and equipped all-electric gear pumps, Ethernet IP integration, digital pressure control and adhesive usage data.



D48, D90 & D180 MELTERS

For applications requiring higher melting rates, D Series adhesive melters with variable speed gear pumps are available in 48, 90 and 180L melt tank capacities



CLEARCUT BB BOOKBINDING APPLICATOR

Designed for book spine-glue applications, MBB Series offers an easy adjustment up to 60mm wide. Replacing traditional open-wheel technology, the MBB series maintains accurate coating thickness, increasing production while improving product quality.



ISOMELT PUR SERIES MELTERS


Valco Melton's IsoMelt Series have been specifically designed to process reactive hot melts such as PUR. The tanks can accommodate standard slugs. All units feature an integrated multi-function controller, accessible from a user-friendly screen.



DDRUM

Designed for high melt rates and precision dispensing of hot melts and sealants, the DDrum unloader is a versatile tool for continuous operations in a variety of manufacturing environments requiring high flow rates.

Valco Melton offers extensive selection of nozzles, slot-coat and other custom applicator/manifold options selected according to individual system requirements



**STICK WITH
VALCO MELTON'S
COLD GLUE SOLUTIONS**

COLD GLUE SOLUTIONS OVERVIEW



300 SERIES

Unprecedented performance in a 15mm wide package. An adjustable stroke version is available to enhance dotting and fine-line gluing performance. Life cycles exceeding 1-billion are possible with a lightweight plunger featuring a carbide ball seating on a ceramic nozzle tip, making it ideally suited for high speed graphics and paper converting applications.



369 RIBBON COATER

The 369 Series Ribbon Coater is a direct-contact extrusion applicator designed for ribbon-type glue patterns. It can be used with a variety of substrates. Valco Melton's 369 Cold Glue Series Ribbon Coaters are ideal for front-seal envelope gumming, cross-web gluing, and laminating applications.



500 SERIES

Our most accurate, solenoid operated cold glue valves, capable of spot gluing or fine-line gluing at high machine speeds, with adhesive viscosities up to 4500 mPas. Manufactured with a corrosion resistant ceramic ball seat configuration and featuring no dynamic seals for extended service life. Adjustable stroke version for precision pattern volume control available. This valve has the capability to be used with either low or high pressure and in both contact and non-contact configurations



STAINLESS STEEL TANK

Valco Melton's stainless steel pressure tank comes complete with in-line filter, air regulator and gauge, quick disconnects for air and glue lines, stainless steel feed pipe and pop safety valve. Tank size is determined by consumption for a particular application.



EPP-9 PISTON PUMP

EPP-9 is an automatically reversible piston pump with low-voltage, solid-state electronics. The EPP-9 is extremely reliable and resistant, not affected by typical wear characteristics of mechanical devices. Its design prevents the pump from stalling, even during intermittent output applications. The pump will stop and then immediately restart as the system requires.



DD-1 DIAPHRAGM PUMP

DD-1 diaphragm pumps feature a reliable electronic reversing control, resistant to the wear issues commonly seen with mechanical devices. DD-1 is automatically reversible through low-voltage, solid-state electronics, and may be cycled very slow or operated at very low air pressure without stalling. Modular for fast and simple in-line service, no lubrication is required.



PRESSURE-BALANCING GLUE REGULATOR

The Valco Melton Pressure-Balancing Glue Regulator is air piloted and ensures uniform adhesive volume regardless of changes to machine speeds. When the machine stops, the regulator automatically relieves output pressure which eliminates pattern flooding when production restarts.

World Headquarters

USA, OH, Cincinnati | Tel: +1.513.874.6550
info@valcomelton.com

America Manufacturing, Sales & Service Centers

Canada, Vancouver, B.C.
ClearVision Technologies
Tel: +1.604.998.4012
canada@valcomelton.com

USA West Coast, CA, Petaluma
GMS-Vansco
Tel: +1.707.285.3392
inquiry@gmsvansco.com

Mexico, México D.F.
Tel: +52.55.6278.1727
mexico@valcomelton.com

Colombia, Bogotá
Tel: +57.313.421.0926
colombia@valcomelton.com

Brazil, Sao Paulo
Tel: +55 11 3071 2117
brazil@valcomelton.com

Europe Manufacturing, Sales & Service Centers

Spain, Navarra, Orcoyen | Tel: +34 948 321 580
spain@valcomelton.com

France, Valence | Tel: +33 (0) 4 75 78 13 73
france@valcomelton.com

Italy, Brescia | Tel: +39 030 2732544
italy@valcomelton.com

Italy, Brescia | ERO s.l.r | Tel: +39 030 2731503
info@ero-gluers.com

Benelux, The Netherlands | Tel: +31 252-673673
benelux@valcomelton.com

Hungary, Budapest | Tel: +36 1-214-4705
hungary@valcomelton.com

UK, England, Telford | Tel: +44 1952-677911
uk@valcomelton.com

Germany, Düsseldorf | Tel: +49 211 984 798-0
germany@valcomelton.com

Poland, Długoleka | Tel: +48 71 889 04 50
poland@valcomelton.com



South, Southeast, West & Central Asia Manufacturing, Sales & Service Centers

Turkey, Istanbul | Tel: +90 212 327 99 71
turkey@valcomelton.com

India, Bangalore | Tel: +91.80.46553300
india@valcomelton.com

UAE, Sharjah | Tel: +971.521305960
uae@valcomelton.com

Singapore, Singapore | Tel: +65 850 95355
singapore@valcomelton.com

East Asia Sales & Service Centers

China, Shanghai | china@valcomelton.com
China, Xiamen | Tel: +86.592.591.7854
Fax: +86.592.591.7834 | china@valcomelton.com

To find the office nearest you, visit:
<http://bit.ly/2Cb8Fv2>
or snap a picture of this QR Code

