



A4 SERIES

Hot Melt HandGuns

Valco Melton's A4 Manual Gun Series simplify hot melt applications by providing the user with a variety of compact design options to meet each of their needs. This hand held gun is designed to endure the roughest working conditions for a longer life of quality assured spray and bead pattern applications.

- 1,500,000 cycles of guaranteed durability
- Faster surface adhesive coverage with a spray application as wide as 300mm diameter
- Integrated air heater
- 100% compatible with market standards



Manual Gun Options



A4 Spray Gun



A4 Bead Gun



A5 Hand Gun Series
(bead & spray)

Insulated Nozzles

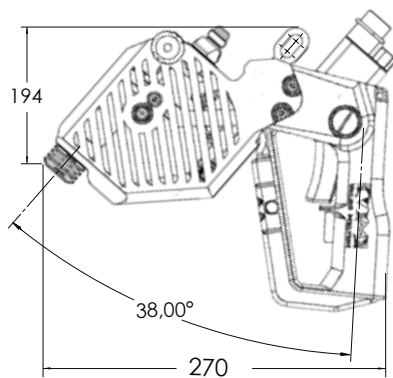
SPRAY PATTERN



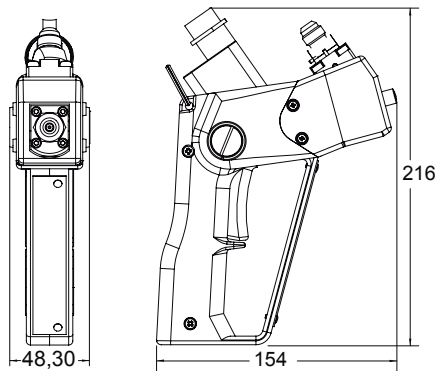
BEAD PATTERN

Technical Specifications

A4 Manual Gun Characteristics	
Operating Temperature	240 ° C / 464 ° F
Operating Hydraulic Pressure	50 bar
Air Pressure	4 - 6 bar / 58 - 87 psi
Electric Supply	200-240 VAC 50/60 Hz



Levitate Hand Gun



A4 Hand Gun



For more information, visit valcomelton.com or contact your local Valco Melton representative.

World Headquarters: USA, Cincinnati, Ohio (Corporate Offices) • Tel:+1.513.874.6550 • Fax: +1.513.874.3612

Europe Headquarters: Spain, Navarra • Tel:+34.948.321.580 • Fax:+34.948.326.584

Asia Headquarters: China, Xiamen, Fujian • Tel:+86.592.591.7854 • Fax:+86.592.591.7834

info@valcomelton.com • Serving over 76 Countries Worldwide • valcomelton.com